

# DIAMOND ANALYSIS REPORT™

# EGL USA

NATURAL DIAMOND  
REPORT# US921514803D

SHAPE & STYLE PRINCESS

MEASUREMENTS 6.1 x 5.77 x 4.36 mm

DEPTH 75.6%

CARAT WEIGHT 1.29 CT

CUT GRADE IDEAL

CLARITY GRADE SI2

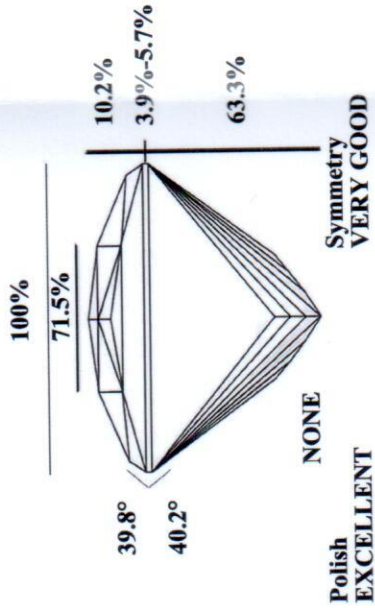
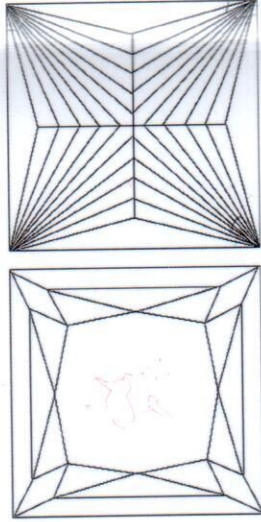
COLOR GRADE H

FLUORESCENCE NONE

COMMENTS

The characteristics of the diamond in this report were based on the information gained from utilizing a variety of gem testing instruments. The following instruments were used as required to complete our examination: 10x magnification with a fully corrected loupe and binocular microscope, millimeter gauge, computer aided non-contact measuring device, spectroscopy systems, Proportion Scope, electronic balance, master color comparison diamonds, ultraviolet light sources, fiber optic illumination, and other instruments.

The diagram is an approximate representation of the type and relative position of internal and external characteristics. Red symbols indicate internal characteristics and green symbols indicate external characteristics.



January 20, 2020

This document was produced with the following security measures:  
ink screens, holographic security seal, tamperproof background designs,  
EGL embossing and other safety features, custom designed for EGL USA

*A. Flood: J. J. J.*

