



AMERICAN GEM SOCIETY LABORATORIES®

# Diamond Quality™ Report

AGS 104092683002

March 21, 2017

**Shape and Style** Oval Brilliant

Measurements: 11.07 x 8.19 x 5.29 mm  
Weight: 3.303 cts.

**Proportions**

Total Depth: 64.6%  
Table: 63.4%  
Girdle: Thin to Extremely Thick, Faceted  
Culet: Pointed

**Finish**

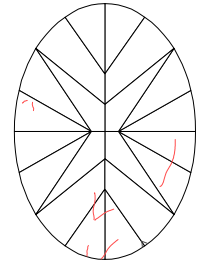
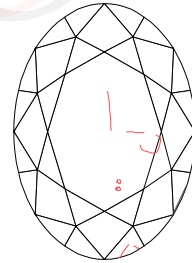
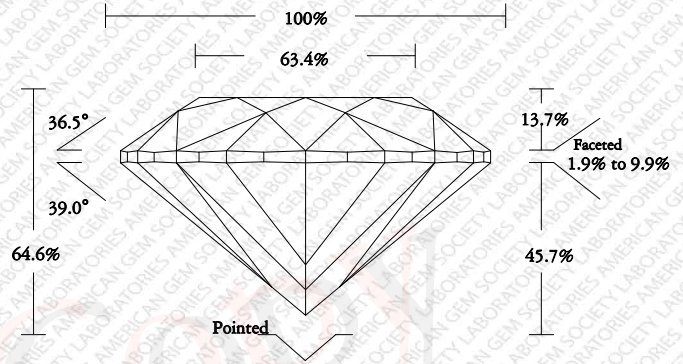
Polish: Very Good  
Symmetry: Good

**Color Grade** AGS 3.5 (K)

**Clarity Grade** AGS 7 (I1)

**Comments**

Fluorescence: Negligible



**Key to Symbols**

- Feather
- Crystal
- Extra Facet



**PLOT INFORMATION:** The Clarity grade is diagrammed using the clarity symbols contained in the *AGS Diamond Standards Manual*. Red marks indicate inclusions; green marks indicate external blemishes.

AGS	0	0.5	1.0	1.5	2.0	2.5	3.0	3.5	4.0	4.5	5.0	5.5	6.0	6.5	7.0	7.5	8.0	8.5	9.0	9.5	10.0	To	Fancy Yellow	
GIA	D	E	F	G	H	I	J	K	L	M	N	O	P	Q	R	S	T	U	V	W	X	Y	Z	Fancy Yellow
	COLORLESS			NEAR COLORLESS			FAINT			VERY LIGHT			LIGHT											

AGS	0	1	2	3	4	5	6	7	8	9	10
GIA	FLAWLESS / IF	VVS1	VVS2	VS1	VS2	S11	S12	I1	I2	I3	

**THIS REPORT IS NOT A WARRANTY, GUARANTEE, OR APPRAISAL OF VALUE.**

**IMPORTANT NOTICE:** All three quality factors of Cut, Color, and Clarity can dramatically affect the beauty and value of a diamond. Because of cutting, diamonds with the same color and clarity grades can vary in value by as much as 50% or more. Therefore, it is advisable to consult a Certified Gemologist® or other credentialed gemologist, before purchasing this Diamond.

THIS IS A REPRESENTATION OF THE ACTUAL DOCUMENT

ORIGINAL